



Verifone®

Verifone online help videos can be found on YouTube - search for "Verifone Training Academy." Watch the videos online or from your smartphone.

VeriFone Vx520 Series Installation Guide

IMPORTANT INFORMATION EMV CHIP CARD PROCESSING

This device has the ability to process EMV chip cards. If you are set up to accept EMV chip cards you will notice a few differences when presented an EMV chip card for payment .

1. EMV chip cards must be inserted into the device or pin pad if attached (swiped transactions are not allowed).
2. The EMV chip card must remain in the device until the transaction is complete
3. The transaction may require a customer to enter a PIN (similar to a debit transaction).
4. EMV chip card transactions require the credit card to remain in the possession of the cardholder at all times.

For more information regarding EMV chip card acceptance and processing please visit: www.paymentstart.com/secure

INSTALLATION INSTRUCTIONS

- Step 1: Open box
- Step 2: Follow installation instructions on page 2
- Step 3: Begin processing

CONTACT US:

www.paymentstart.com

for user guides and other DIY tips

1-866-451-4007

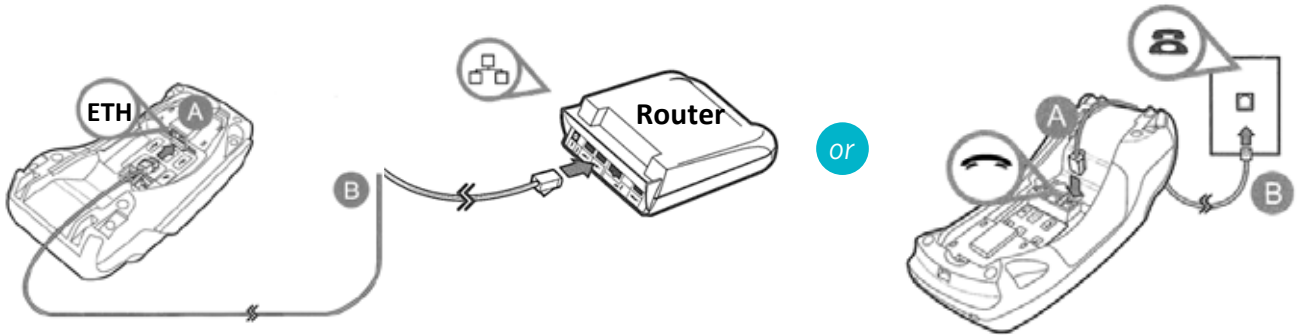
Activation & Training
for further assistance

8:30 AM - 9:00 PM EST, M-F

Your
Payment Solutions
Team

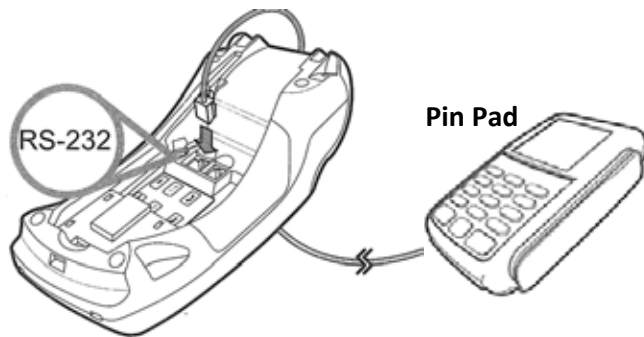
COMMUNICATION CONNECTIONS

(Ethernet connection must be completed before the power is connected)



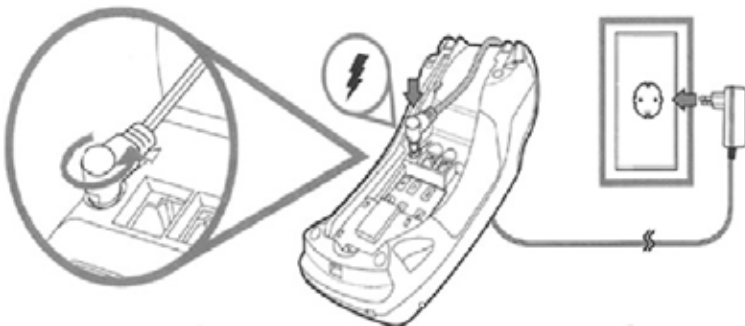
INSTALLING THE PIN PAD

(Pin pad must be installed before the power is connected)



POWER CONNECTION

(Connect the power after all other connections have been made)



INSERTING THE PAPER ROLL

(Paper roll must feed as shown)

